

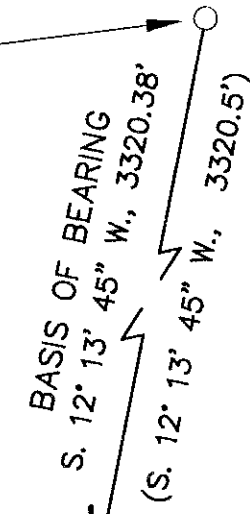


BASIS OF BEARING

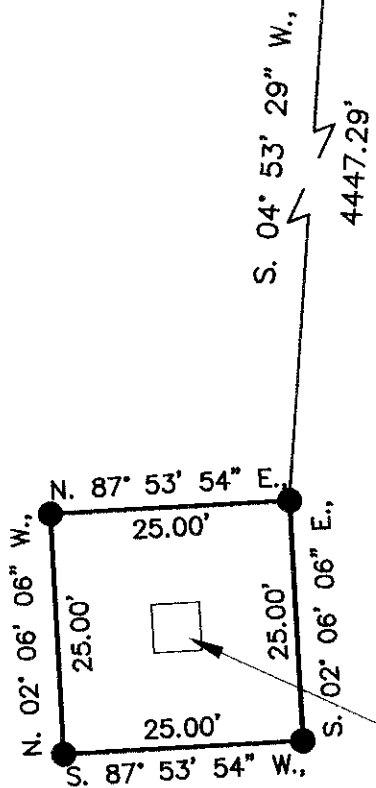
Idaho Power Co. Drawing No. 06E-35978, between the Northeast Corner of Section 6 and the found copper plug in pipe.

FOUND COPPER PLUG IN PIPE AS PER IDAHO POWER CO. DRAWING NO. 06E-35978.

T. 8 S., R. 46 E., W.M.
T. 9 S., R. 46 E., W.M.



FOUND BRASS CAP MONUMENT AS PER IDAHO POWER CO. DRAWING NO. 06E-35978.



Proposed Tower & Junction Box

NARRATIVE

The purpose of this survey, ordered by Pat Lattin of Eagle Telephone Systems, Inc., is to mark upon the ground, with proper monumentation, the boundary corners of property leased for a telecommunications site.

REFERENCES

Idaho Power Co. Drawing No. 06E-35978, titled "HALFWAY RADIO STATION SITE", and prepared by Albert Gaschler, R.P.E. 5926.

Baker County Survey No. 8-46-94.

LEGEND

- Set 5/8" rebar with plastic cap marked "HANLEY ENGR. PLS 1817".
- Found, monument as noted.
- ⊙ Found, Brass Cap Monument.

HANLEY ENGINEERING, INC.
2043 MAIN STREET
BAKER CITY, OREGON

**REGISTERED
PROFESSIONAL
LAND SURVEYOR**

Thomas J. Hanley

OREGON
JULY 13, 1979
THOMAS J. HANLEY
1817

Renews June 30, 2001

MAP OF SURVEY
SE¼ OF SECTION 6
T. 9 S., R. 46 E., W.M.
BAKER COUNTY, OREGON

Surveyed June 5, 2001
for Eagle Telephone Systems, Inc.
Scale: 1" = 20'

FILED JUNE 19, 2001
BAKER COUNTY SURVEYOR
SURVEY NO. 9-46-8