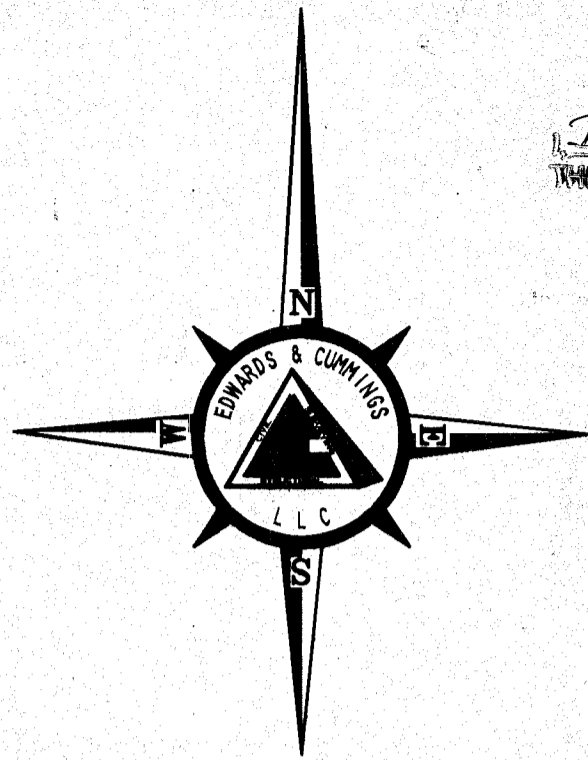


B05 19 0340

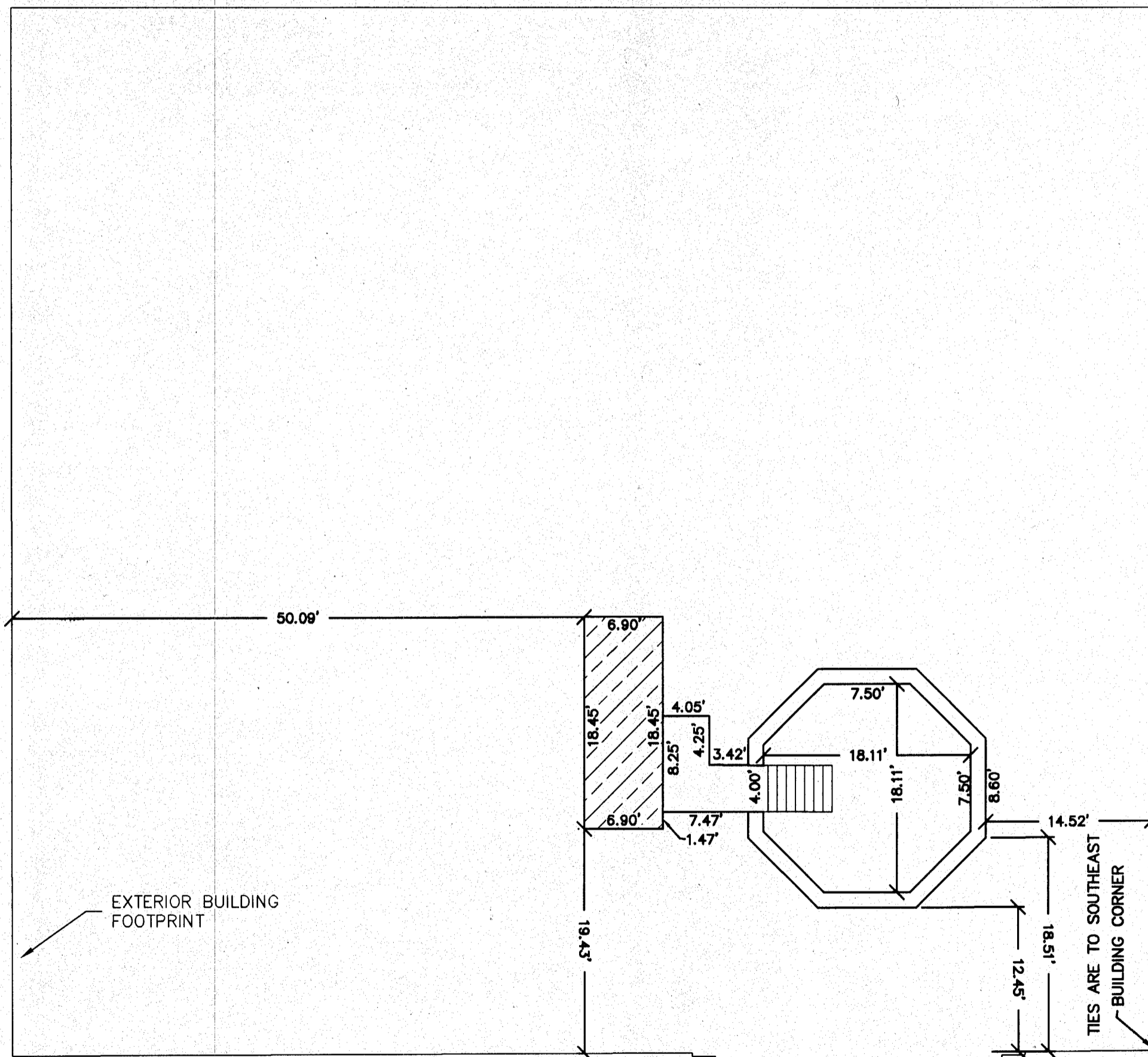
REGISTERED
PROFESSIONAL
LAND SURVEYOR
Danny K. Cummings
OREGON
JAN. 21, 1988
DANNY K. CUMMINGS
2316

RENEWAL DATE: 12-31-05

0 10 20
SCALE 1" = 10'



Danny K. Cummings HEREBY CERTIFY THAT
THIS IS AN EXACT REPRODUCTION OF THE ORIGINAL.
Danny K. Cummings



TENTH FLOOR

LEGEND

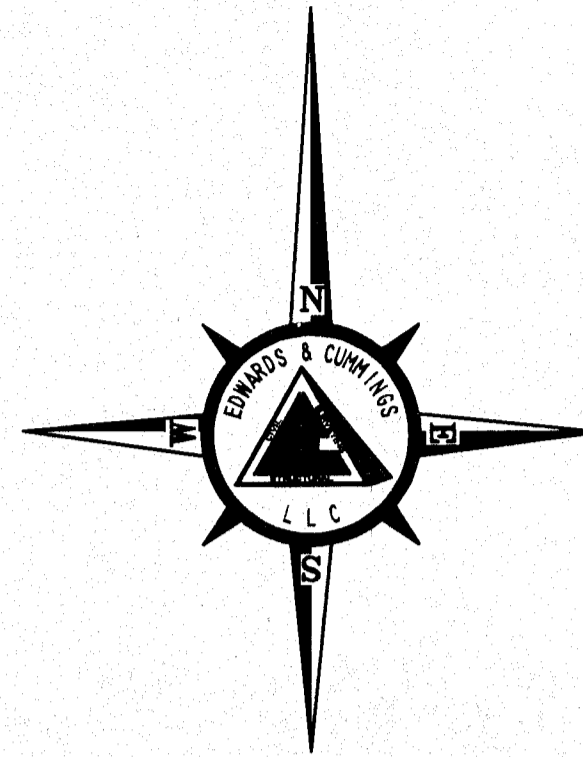
GENERAL COMMON ELEMENT (G.C.E.)



B05 19 0341

SD2005-004

BAKER TOWER CONDOMINIUM
a Replat of Lot 2, a portion of Lots 1 and 3,
in Block 1 of the U.S. Townsite of Baker, and
Lot 6, and a portion of Lot 7, in Block D,
of M.E. Place's Addition,
within the SE1/4SE1/4 Section 17, and
within the NE1/4NE1/4 Section 20, T9S, R40E, W.M.,
Baker City, Baker County, Oregon

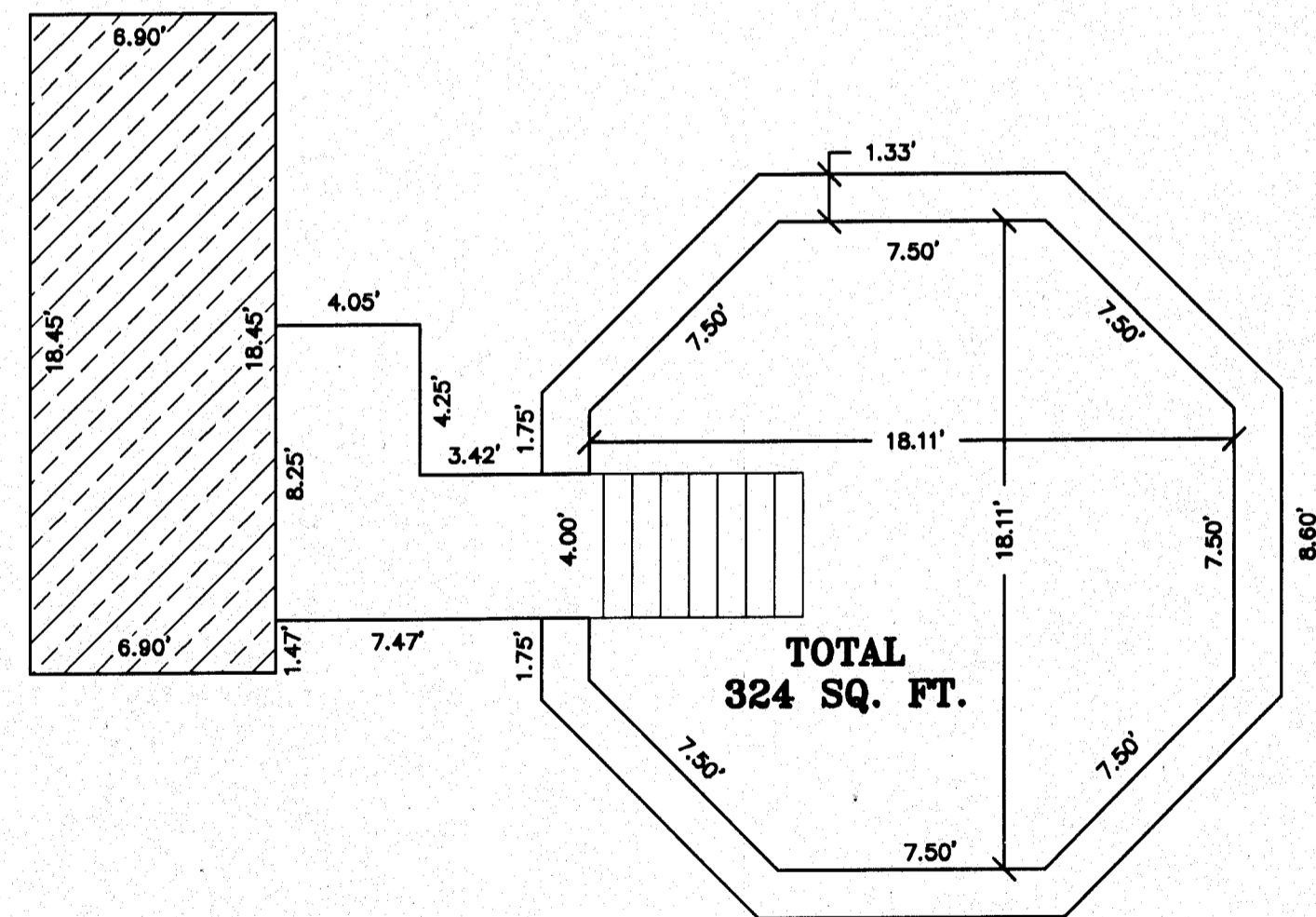


0 5 10
SCALE 1" = 5'

DETAIL

**ELEVATOR, HALL
& MAINTENANCE CLOSET**
G.C.E. 128 SQ. FT.

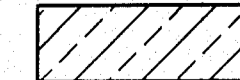
**TENTH FLOOR
PART OF UNIT 900**
324 SQ. FT. TOTAL



TOTAL
324 SQ. FT.

LEGEND

GENERAL COMMON ELEMENT (G.C.E.)



FILED *MAY 12, 2005*
BAKER COUNTY SURVEYOR
SURVEY NO. *9-40-6045A*

B-12