

# SURVEY NARRATIVE

THIS SURVEY WAS PERFORMED AT THE REQUEST OF ED HIBBARD FOR THE PURPOSE OF RETRACING THE SOUTH LINE OF HIS PROPERTY (LOTS 6 & 7) AND TO LOCATE ANY AREAS OF ENCROACHMENT ONTO LOT 7. STREET CENTERLINE MONUMENTS WERE LOCATED AND USED TO CONTROL BLOCK 40. THE CORNER AT 8TH AND GRACE FALLS ON A BRIDGE OVER THE CREEK AND WAS NOT FOUND SO THE NEXT CENTERLINE MONUMENT TO THE WEST WAS USED. MEASURED DISTANCES WERE COMPARED WITH RECORD DISTANCES. RECORD ROAD AND ALLEY WIDTHS WERE HELD AND LOT LINES WERE ADJUSTED PROPORTIONALLY. THE SOUTH EAST CORNER OF LOT 7 FALLS IN THE CREEK SO A WITNESS CORNER WAS ESTABLISHED ALONG THE SOUTH LINE OF SAID LOT 7, A DISTANCE OF 15.00 FROM THE ACTUAL CORNER AS NOTED ON DETAIL A.

THE EXISTING FENCE LINE IS NOT REPRESENTATIVE OF THE ACTUAL LOT LINE BUT FALLS TO NORTH SEVERAL FEET. THE TEMPORARY STORAGE SHELTER ON LOT 8 ENCROACHES NEARLY 5 FEET ONTO LOT 7.

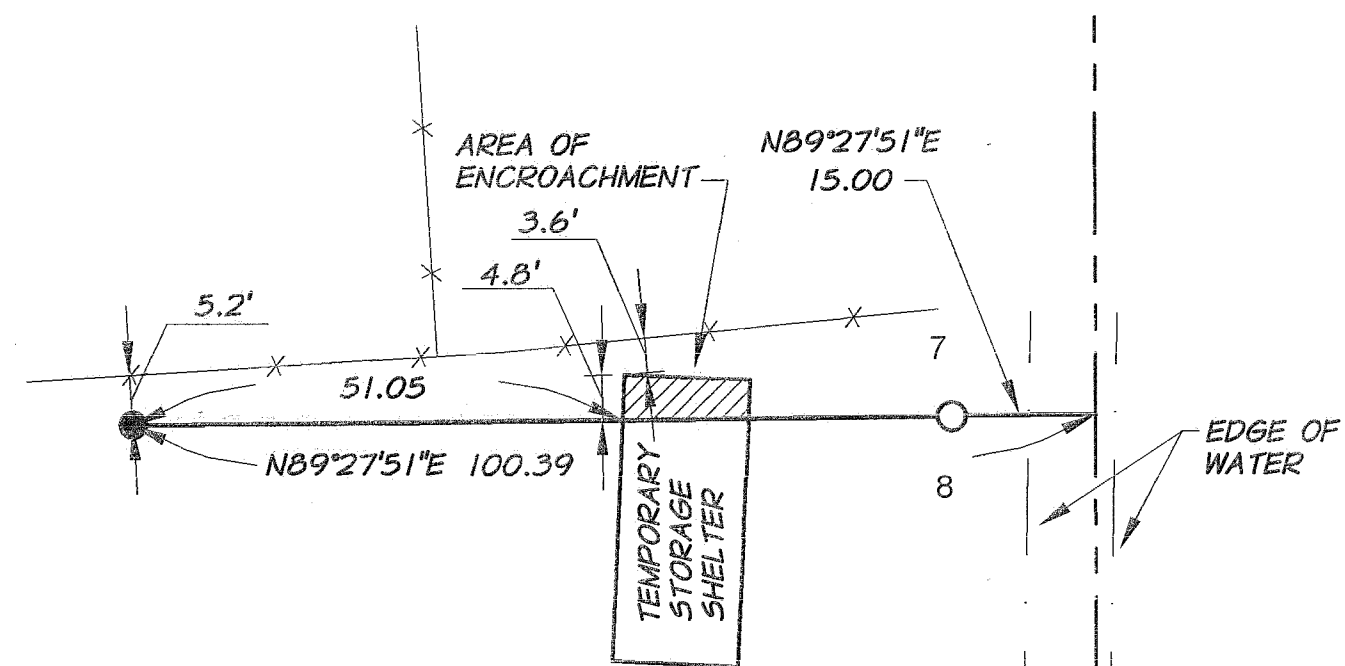
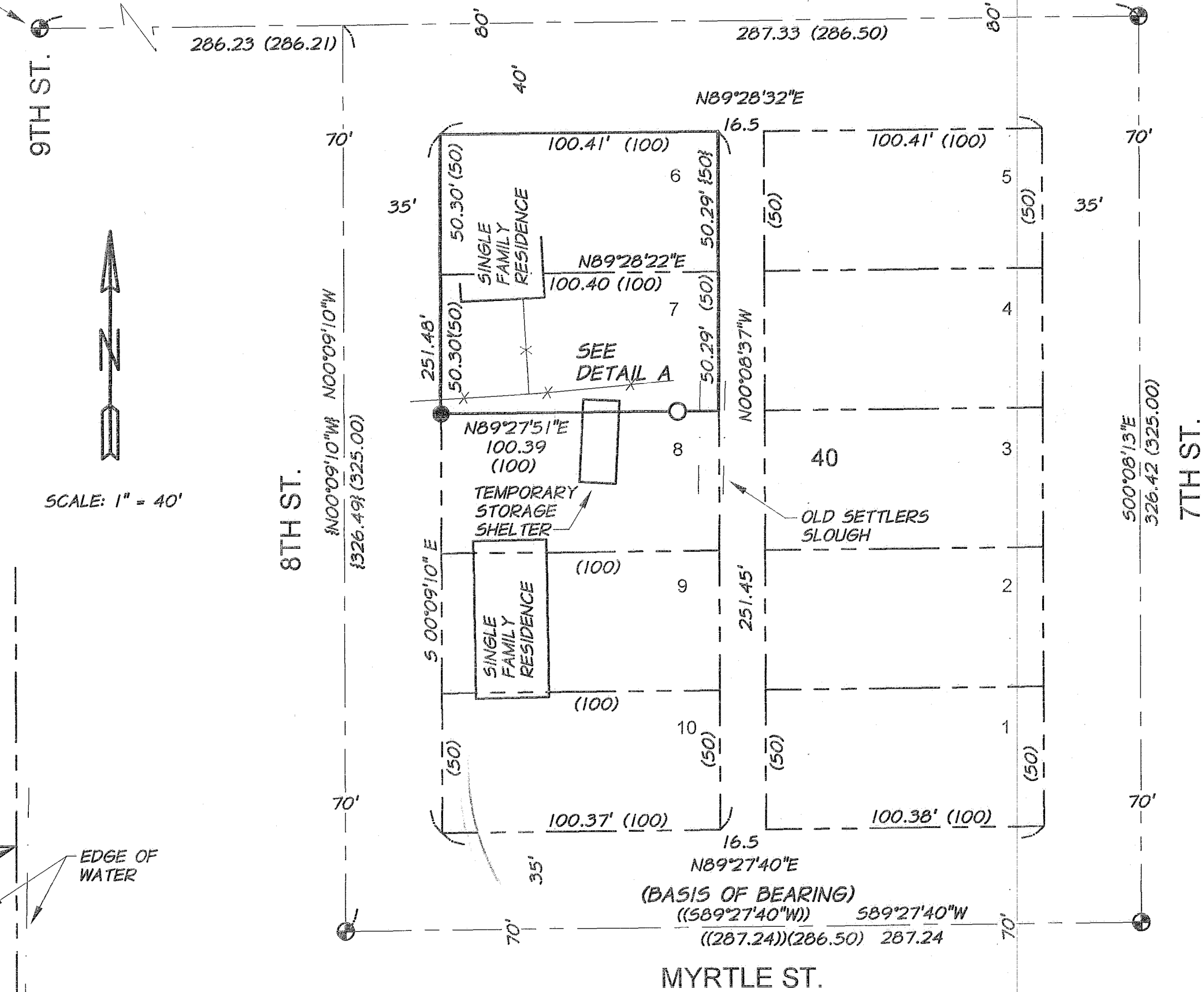
# BASIS OF BEARINGS

THE LINE BETWEEN CENTER-LINE MONUMENTS AT THE INTERSECTIONS OF 8TH & MYRTLE AND 7TH & MYRTLE AS RECORDED ON CS 9-40-162-B

# REFERENCES

- CS 9-40-162-B
- CS 9-40-61 BC
- CS 9-40-342
- CS 9-40-280
- CS 9-40-183
- REVISED McCRARY ADDITION TO BAKER CITY

FND 3/4" O.D. IRON PIPE IN MONUMENT BOX. MONUMENT IS BURIED 0.8 BELOW GROUND., TOP OF MONUMENT BOX IS 0.5 BELOW GROUND.



**DETAIL A**

# LEGEND

- INDICATES SET 5/8 INCH IRON ROD, 30 INCHES LONG WITH 1 1/2" ALUMINUM\* CAP STAMPED APA WA35140 OR2537
- INDICATES SET 5/8 INCH IRON ROD, 30 INCHES LONG WITH 1 1/2" ALUMINUM CAP STAMPED APA WA35140 OR2537 --> WC 15.00
- ⊕ INDICATES FOUND 3/4" OD IRON PIPE IN MONUMENT BOX IN ROAD UNLESS NOTED OTHERWISE. CS 9-40-162-B, 9-40-342
- (XXX.XX) INDICATES RECORD DATA FROM REVISED McCRARY ADDITION
- ((XXX.XX)) INDICATES RECORD DATA FROM CS 9-40-162-B
- {XXX.XX} INDICATES RECORD DATA FROM CS 9-40-342
- INDICATES PROPERTY LINES
- - - INDICATES CENTERLINE OF ROADWAY
- - - INDICATES EDGE OF WATER

FILED APRIL 27, 2005  
BAKER COUNTY SURVEYOR  
SURVEY NO. 9-40-602

REGISTERED PROFESSIONAL LAND SURVEYOR  
*A. M. Perry* 4/25/05  
HARMON E. McLENDON 2837  
RENEWED 12/31/06

| MAP OF SURVEY                                                                                                     |  |                                     |
|-------------------------------------------------------------------------------------------------------------------|--|-------------------------------------|
| LOT 6 & 7 IN BLOCK 40 REVISED McCRARY ADDITION<br>SW 1/4 NE 1/4 SECTION 20, T9S, R40E, W.M.<br>BAKER CITY, OREGON |  |                                     |
| ED HIBBARD                                                                                                        |  | 2325 ESTES ST, BAKER CITY, OR 97814 |
| SCALE:<br>1" = 40'                                                                                                |  | SHEET<br><b>1/1</b>                 |
| DATE:<br>APRIL 2005                                                                                               |  |                                     |
| JOB NO.<br>2731-40                                                                                                |  |                                     |