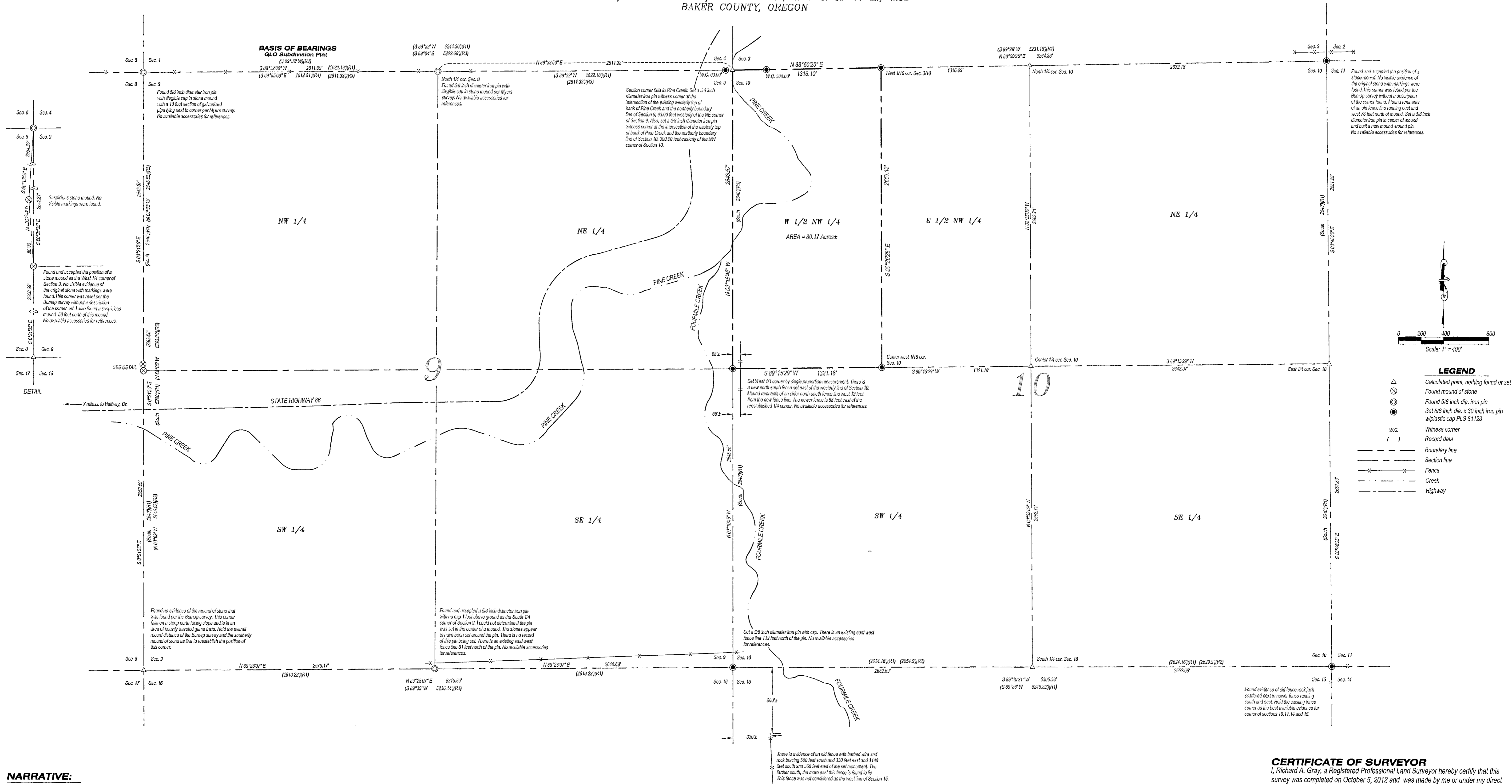


RECORD OF SURVEY

THE W 1/2 OF THE NW 1/4 SECTION 10, T. 8 S. R. 47 E., W.M.
BAKER COUNTY, OREGON



BASIS OF BEARINGS
GLO Subdivision Plat

(S 89° 52' 00" W) 2012.51' (R1) (S 89° 52' 00" W) 2012.51' (R1) (S 89° 52' 00" W) 2012.51' (R1) (S 89° 52' 00" W) 2012.51' (R1)

Found 5/8 inch diameter iron pin with a single cap in stone mound with a 1/2 inch section of galvanized pipe lying east to corner per Myers survey. No available accessories for references.

North 1/4 cor. Sec. 9
Found 5/8 inch diameter iron pin with a single cap in stone mound per Myers survey. No available accessories for references.

Section corner falls in Pine Creek. Set a 5/8 inch diameter iron pin witness corner at the intersection of the existing westerly line of back of Pine Creek and the northerly boundary line of Section 9, 63.00 feet westerly of the NE corner of Section 9. Also, set a 5/8 inch diameter iron pin witness corner at the intersection of the westerly line of back of Pine Creek and the easterly boundary line of Section 10, 300.00 feet easterly of the NW corner of Section 10.

Found and accepted the position of a stone mound. No visible evidence of the original stone with markings were found. This corner was found per the Bumap survey without a description of the corner found. I found remnants of an old fence line running east and west 78 feet north of mound. Set a 5/8 inch diameter iron pin in center of mound and built a new mound around pin. No available accessories for references.

Single stone mound. No visible markings were found.

Found and accepted the position of a stone mound as the West 1/4 corner of Section 9. No visible evidence of the original stone with markings were found. This corner was reset per the Bumap survey without a description of the corner set. I also found a suspicious mound 68 feet north of this mound. No available accessories for references.

Found no evidence of the mound of stone that was found per the Bumap survey. This corner falls on a steep north facing slope and is in an area of newly leveled game lands. Had the usual record distance of the Bumap survey and the southerly mound of stone as a line to reestablish the position of this corner.

Found and accepted a 5/8 inch diameter iron pin with no cap 1 foot above ground as the South 1/4 corner of Section 9. I could not determine if the pin was set in the center of a mound. The stones appear to have been set around the pin. There is no record of this pin being set. There is an existing east-west fence line 91 feet north of the pin. No available accessories for references.

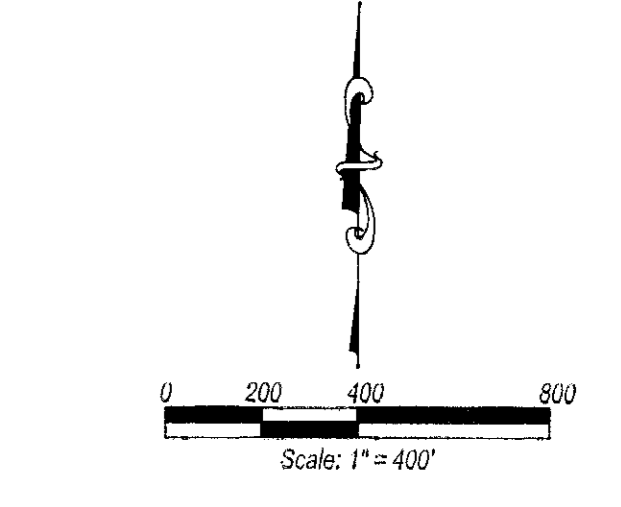
Set West 1/4 corner by single proportion measurement. There is a new north-south fence set east of the westerly line of Section 10. Found remnants of an older north-south fence line west 12 feet from the new fence line. The corner fence is 68 feet east of the reestablished 1/4 corner. No available accessories for references.

Set a 5/8 inch diameter iron pin with cap. There is an existing east-west fence line 122 feet north of the pin. No available accessories for references.

There is evidence of an old fence with barbed wire and rock bracing 590 feet south and 330 feet east and 1180 feet south and 300 feet east of the set monument. The farther south, the more used this fence is found to be. This fence was not considered as the west line of Section 15.

I searched for the westerly line of Section 15 and found no evidence of mounds. There is evidence of an old fence with barbed wire and rock bracing 590 feet south and 330 feet east and 1180 feet south and 300 feet east of the set monument. The farther south, the more east this fence is found to be. This fence was not considered as the west line of Section 15. There were two suspicious mounds found along the west line of Section 9. The southerly mound was closer to Bumap's distance of his set monument. I accepted this mound of stone as the West 1/4 corner of Section 9. I extended the westerly line of Section 9 from the found Myers pin and the mound of stone record distance of the Bumap survey for the south west corner of Section 9. I found a 5/8 inch diameter iron pin and accepted it as the South 1/4 corner of Section 9. I held the bearing from the computed point for the south west corner of Section 9 and the 5/8 inch iron pin for the south boundary of Section 9. I established the distance by single proportion from the south 1/4 corner of Section 9 and the set 5/8 inch iron pin set for the south east corner of Section 10 to reestablish the south west corner of Section 10. I am aware that the BLM manual recommends that a section corner is reestablished by double proportioning, but it was my opinion that the evidence found was the best way to reestablish this corner without going south through very rugged and mountainous terrain. The location of Pine Creek, Fourmile Creek and Highway 85 are approximate locations derived from quad map.

NARRATIVE:
This boundary survey was performed at the request of Benita Thompson to establish the boundary corners of the West 1/2 of the Northwest 1/4 of Section 10 for the purpose of setting a fence along the deeded boundary lines. A diligent search was made in the attempt to find the original subdivision corners set by William B. Barr as shown on the GLO Plat map approved in 1883, Contract No. 443, and referenced in his field notes dated May 28th, 1882. There were no monuments found that would establish the corners of Section 10 with the exception of the NE corner. This corner is also referenced in a survey by L.C. Bumap for Idaho Power dated Sept. 1957. The north and west lines of Section 9 and the north line of Section 10 was surveyed by Bumap. Corners were found and located according to the Bumap survey. However, he did not describe monuments found or set on his survey. Leland Lee Myers prepared a Record of Survey for Cary Thomas Jan. 7, 2008. In Leland's survey, he locates a portion of the north line of Section 9. In his narrative he explains his opinion on the Barr survey and on corners accepted from the Bumap survey. As with the Myers survey, this survey found no marked stones but only remnants of several mounds of stones which is shown hereon. In my attempt to retrace the original surveys, I decided that the best available evidence for the south east corner of Section 10 was the existing fence that runs east and south. I accepted the found mound of stone as the north east corner to establish the easterly line of Section 10. The north west corner of Section 10 was reestablished by holding the found 5/8 inch diameter iron pins per the Myers survey as the north line of Section 9 and by holding the record distance from the North 1/4 corner of Section 9 to the north west corner of Section 10 per the Bumap survey. The south west corner of Section 10 was reestablished by the following method:



- LEGEND**
- △ Calculated point, nothing found or set
 - ⊗ Found mound of stone
 - ⊙ Found 5/8 inch dia. iron pin
 - ⊕ Set 5/8 inch dia. x 30 inch iron pin w/plastic cap PLS 81123
 - W.C. Witness corner
 - () Record data
 - Boundary line
 - - - Section line
 - x - x - Fence
 - - - - - Creek
 - Highway

CERTIFICATE OF SURVEYOR
I, Richard A. Gray, a Registered Professional Land Surveyor hereby certify that this survey was completed on October 5, 2012 and was made by me or under my direct supervision, that the boundary corners are marked as shown and that this map is a true and accurate representation of said survey.

<p>REGISTERED PROFESSIONAL LAND SURVEYOR</p> <p>Richard A. Gray</p> <p>OREGON JULY 08, 2008 RICHARD A. GRAY 81123LS</p> <p>EXPIRATION DATE: 08/30/13</p>	<p>BAKER COUNTY SURVEYOR</p> <p>By: _____</p> <p>Received: Jan 13, 2013</p> <p>Accepted: _____</p> <p>Survey No: 8-47-5</p> <p>Dwg No: _____</p>
---	---

REFERENCE DATA

R1) GLO Plat map prepared by W.B. Barr under contract No. 443, Field notes dated May 28th, 1882; plat approved March 13, 1883.

R2) Baker County Surveyor, Ira Hoffman - Field Book 40, Pages 57-60, April 18 1921

R3) Record of Survey prepared by L.G. Bumap, RLS 366, for Oxbow H.E. Development and Idaho Power dated Sept. 6, 1957

R4) Record of Survey prepared by Leland Lee Myers, RLS 699, for Cary Thomas Jan. 7, 2008 Survey No. 7-47-60; 8-47-3

<p>COMPASS LAND SURVEYING, PLLC</p> <p>419 Madrone Cir. Nampa, ID 83686</p> <p>Office: (208) 442-0115 Fax: (208) 327-2106</p>	<p>SURVEY FOR: BENITA THOMPSON</p>
<p>SHEET NO. 1 OF 1</p> <p>JOB NO. 4912</p> <p>DWG NO. 4912ROS</p> <p>SCALE: 1"=400'</p> <p>DRAWN BY: RAG</p> <p>DATE: 11/07/12</p>	<p>EXPIRATION DATE: 08/30/13</p>

FILED Jan 13, 2013
BAKER COUNTY SURVEYOR
SURVEY NO. 8-47-5