

RECORD OF LAND CORNER MONUMENTATION

CORNER #5 EVANS QUARTZ CLAIM, MINERAL SURVEY 422,
IDENTICAL WITH CORNER #3 SOUTH POLE QUARTZ CLAIM, MINERAL SURVEY 422,
SITUATED IN SECTION 33, T. 8 S., R. 37 E., W.M.
PAGE 1 OF 2

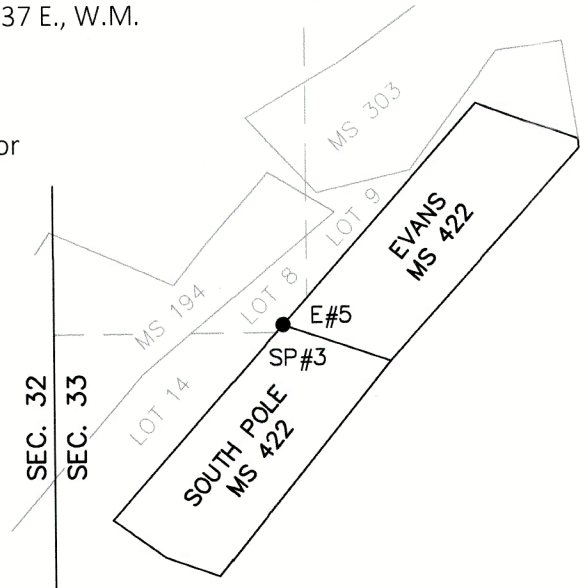
ORIGINALLY ESTABLISHED BY: John Hagel, U.S. Deputy Mineral Surveyor

MINERAL SURVEY NUMBER: 422

COMPLETION DATE: July 3, 1901

SUBSEQUENT SURVEYS:

- ▶ G.L.O. Retracement by Lincoln E. Wilkes, U.S. Cadastral Engineer, under Group No. 107, Approved May 26, 1927
- ▶ Unrecorded remonumentation by John R. Mitchell, an unlicensed Survey Technician, as documented on U.S. Forest Service corner card dated 9/22/1980
- ▶ Survey by William R. Wells, PLS #1106. Map of survey filed October 8, 1985 as Survey No. 8-37-14 and associated Corner Monumentation Record filed October 8, 1985 as Survey No. 8-37-26.



ORIGINAL DESCRIPTION "SOUTH POLE QUARTZ CLAIM": Identical with the N.W. loc. cor. and cor. No. 5 of the "Evans" quartz claim, a living fir tree, cut it four ft. above the ground and hewed it 4 ins. square, scribed it S.Pole Q.Cl., C.3-422--Evans Q.Cl., C.5-422.

A yellow fir tree 8 ins. in diam. bears S.17°E. 23.2 ft.;
A yellow fir tree 7 ins. in diam. bears S.9°55'W. 20.5 ft.;
both blazed and scribed S.Pole Q.Cl., C.3-422-B.T.

ORIGINAL DESCRIPTION "EVANS QUARTZ CLAIM": To corner No. 5. A post previously described. Identical with the south west location corner. Identical with Cor. No. 3 of the "South Pole" quartz claim,

A yellow fir tree 6 ins. in diam. bears N.64°50'E., 23.2 ft.;
A yellow fir tree 8 ins. in diam. bears N.59°35'E., 25.4 ft.;
both blazed and scribed Evans Q.Cl., C. 5-422-B.T.

G.L.O. DESCRIPTION: Cor. No. 3, common with cor. No. 5, Evans Claim, as described

MITCHELL'S 1980 DESCRIPTION:

DESCRIBE CORNER MONUMENT FOUND: None

DESCRIBE BEARING TREES OR OTHER OFFICIAL ACCESSORIES FOUND: 16" WF brs S17°E 22.2' w/H.B.; 14" WF brs S.5°E 21' w/full scribing in open blaze; 20" WF brs N65°E 25 1/2' w/H.B.; 14" Dead DF brs. N59°E 23.2' w/H.B.

MONUMENT: DESCRIBE NEW MONUMENT SET, OR WORK DONE TO PRESERVE EXISTING MONUMENT: Planted 2 1/2" B.C. on 32" x 1" gal. pipe 20" deep at cor pt marked SPC3 MS422 1980

ACCESSORIES: DESCRIBE NEW BT'S WITNESS OBJECTS ETC. ESTABLISHED, OR WORK DONE TO PRESERVE EXISTING EVIDENCE: 11" WF brs N58°W 17 1/2' marked SP3 MS 422 B.T.

WELLS' 1985 DESCRIPTION:

Mitchell's 2 1/2" brass cap on a 1 1/4" flanged g.i.p., set in a mound of stone and earth. From Mitchell's monument:
A 16" white fir bears S14°E-23.2' to face of blaze and 23.5' to center line with healed blaze (original bearing tree) (partially chopped by others).

A 14" white fir bears S10°W-20.5' to face of blaze and 20.8' to center line with visible scribing on opened blaze (original bearing tree).

A 20" white fir bears N65°E-25.4' to face of blaze and 26.0' to center line with healed blaze (original bearing tree).

A 14" dead douglas fir bears N62°E-23.2' to face of blaze and 23.4' to center line with visible scribing on opened blaze (original bearing tree).

A 12" white fir bears N54 1/2°W-17.0' with visible scribing SP3 MS 422 BT on partly healed blaze (by Mitchell).

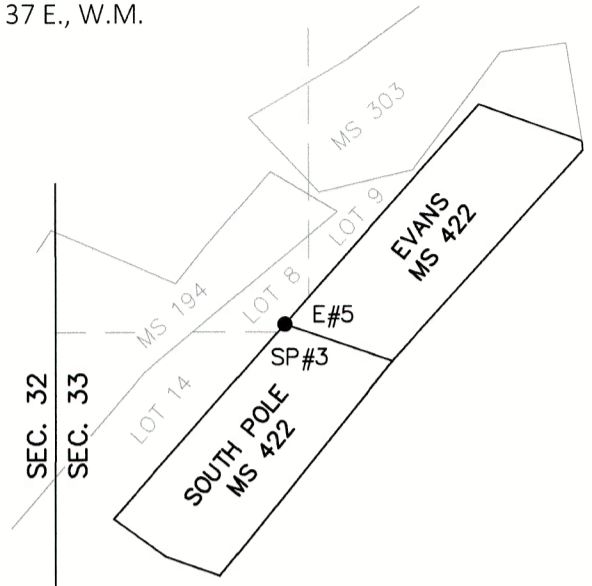
Note: Original surveyor switched distance on the 23.2' and 25.4' record distances to bearing trees.

At the position occupied by Mitchell's monument, set a 2 1/2" by 30" aluminum pipe with 2 1/2" aluminum cap 22" in the ground and surrounded with a mound of stone after verifying the record distance calls with the found bearing trees. Buried Mitchell's monument horizontally next to the new monument.

FILED October 24, 2024
BAKER COUNTY SURVEYOR
SURVEY NO. 8-37-197

RECORD OF LAND CORNER MONUMENTATION

CORNER #5 EVANS QUARTZ CLAIM, MINERAL SURVEY 422,
 IDENTICAL WITH CORNER #3 SOUTH POLE QUARTZ CLAIM, MINERAL SURVEY 422,
 SITUATED IN SECTION 33, T. 8 S., R. 37 E., W.M.
 PAGE 2 OF 2



EVIDENCE FOUND: Found the monument set in 1985 by Wells in Survey No.'s 8-37-14 and 8-37-26, which is a 2 1/2" aluminum pipe with 2 1/2" aluminum cap, marked as shown below, projecting 4" above ground in a 3 ft. diameter mound of stone. From which, a steel T post with a USFS 54-9 sign attached bears N.42°E., 2.7 ft. All of the bearing trees of record are dead and down.

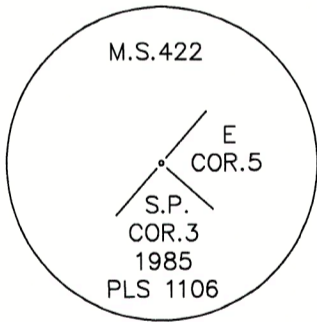
DESCRIPTION OF MONUMENTS AND ACCESSORIES SET AND METHODS USED:

I accept the found monument for the true corner position. Cap is marked as shown below.

From which, **I SCRIBE A NEW BEARING TREE:**

- ▶ A lodgepole pine, 13" dbh, bears N.13°W., 7.60 ft. marked *E5/SP3-422* in upper blaze, and *XBT* in lower blaze.
- ▶ A lodgepole pine, 13" dbh, bears S.70°W., 26.26 ft. marked *X* in upper blaze, and *BT* in lower blaze.

CORNER MONUMENT
 MARKED:



Painted a 6 inch red band around the bearing trees, and also painted the blazes red, and attached new USFS 54-3 and 54-9 signs. Distances measured with a steel tape to a Mag Spike driven in the side-center-right at the root crown of each tree, with an attached 1 1/2" aluminum washer stamped *PLS 69454*. Used a magnetic compass with 14° East declination to measure bearings to BT's. Set an aluminum guard post N.42°E., 4.4 ft., with USFS sign 54-2 attached, and set another one S.42°W., 3.0 ft., with USFS sign 54-2 attached. See associated Map of Survey dated September 19, 2024 for survey-related information.

RESTORATION BY, STAMP AND DATE:

Work performed June 20, 2024 and July 29, 2024
 Survey completed September 19, 2024

Jason L. Hatfield, PLS

USDA FOREST SERVICE
 NORTHEAST OREGON LAND ZONE
 1550 Dewey Avenue, Suite A
 Baker City, OR 97814
 (541) 523-1283

FILED October 24, 2024
 BAKER COUNTY SURVEYOR
 SURVEY NO. 8-37-197

REGISTERED
 PROFESSIONAL
 LAND SURVEYOR

Jason L. Hatfield
 OREGON
 NOVEMBER 30, 2007
 JASON L. HATFIELD
 #69454

EXPIRES: 6/30/2025