

**DEPENDENT RESURVEY**  
 OF LINE BETWEEN SECTIONS 20 AND 21,  
 TOWNSHIP 7 SOUTH, RANGE 46 EAST  
 WILLAMETTE MERIDIAN  
 BAKER COUNTY, OREGON

**NARRATIVE**

THE PURPOSE OF THIS SURVEY IS TO LOCATE, MONUMENT, AND MARK THE BOUNDARIES OF NATIONAL FOREST SYSTEM LANDS LOCATED IN SECTIONS 20 AND 21, TOWNSHIP 7 SOUTH, RANGE 46 EAST, WILLAMETTE MERIDIAN, BAKER COUNTY, OREGON.

THIS SURVEY WAS CONDUCTED USING GLOBAL POSITIONING SYSTEM EQUIPMENT AND CONVENTIONAL EQUIPMENT. A SINGLE BASE SYSTEM WAS INCORPORATED FOR SURVEY CONTROL AND MONUMENTATION OF THE CORNER POSITIONS USING REDUNDANT MEASUREMENTS. ALL GPS DATA WERE DOWNLOADED AND CORRECTED IN TRIMBLE BUSINESS CENTER SOFTWARE. THE SOLUTION REPORTED A COMBINED SCALE FACTOR OF 1.0002912478.

THE RETRACEMENT SHOWN HEREON WAS PERFORMED IN ACCORDANCE WITH THE PROCEDURES SET FORTH IN THE 2009 BLM MANUAL OF SURVEYING INSTRUCTIONS.

THE ORIGINAL SUBDIVISION OF TOWNSHIP 7 SOUTH, RANGE 46 EAST WAS PERFORMED UNDER CONTRACT NO. 443, PERFORMED BY W. B. BARR, U.S. DEPUTY SURVEYOR, DATED MAY 29, 1882.

THE RE-ESTABLISHMENT OF THE NORTHEAST CORNER OF SECTION 20 WAS PERFORMED BY JAMES D. HANLEY, PE 2808 AS SHOWN ON MAP OF SURVEY 7-46-1 AND 7-46-8, RECORDED ON JULY 12, 1974

THE SUBDIVISION OF SECTIONS 20 AND 21 WAS PERFORMED BY BARRY B. BARBOUR, PLS 1051 AS SHOWN ON MAP OF SURVEY 7-46-95, RECORDED ON JANUARY 25, 1982 FOR THE WALLOWA-WHITMAN NATIONAL FOREST, CONTRACT NO. 53-04M3-1-2686N.

WHILE PERFORMING BOUNDARY LINE MAINTENANCE, NO MONUMENT WAS RECOVERED FOR THE NORTH 1/6 CORNER OF SECTIONS 20 AND 21 AS THE POSITION FALLS IN EAST PINE CREEK. THE BEARING TREES ESTABLISHED BY BARBOUR WERE RECOVERED, HOWEVER, DUE TO THEM BEING LOCATED APPROXIMATELY 325 FT. AND 410 FT. DISTANT AND ONLY 45° APART, I DECIDED TO TIE THE CONTROLLING CORNERS TO THE NORTH AND SOUTH TO VERIFY THE LOCATION. DOING SO REVEALED THAT THE 1/4 CORNER FOR SECTIONS 20 AND 21 WAS OUT OF POSITION, BEING APPROXIMATELY 30 FEET NORTH.

NO ORIGINAL EVIDENCE WAS RECOVERED BY BARBOUR SO HE RE-ESTABLISHED THE 1/4 CORNER BY SINGLE PROPORTION. A SEARCH WAS MADE FOR ANY ORIGINAL EVIDENCE WHILE PERFORMING THIS SURVEY BUT NO EVIDENCE WAS RECOVERED. THE CORNER POSITION LIES ON A STEEP NORTH FACING SLOPE AND THE AREA APPEARS TO HAVE BEEN DISTURBED BY PREVIOUS LOGGING ACTIVITY. ADDITIONALLY, THE ORIGINAL BEARING TREES WERE REPORTED TO BE TAMARACKS AND NO TAMARACKS WERE FOUND IN THE AREA WHICH IS PREDOMINATELY FIR TREES.

THE POSITION OF THE 1/4 CORNER FOR SECTIONS 20 AND 21 WAS ESTABLISHED BY HOLDING BARBOUR'S MONUMENT FOR LINE ONLY AND THE LATITUDE WAS CALCULATED AT MID POINT BETWEEN SECTION CORNERS. THIS SOLUTION FITS FAIRLY WELL AS SHOWN BY THE TIES TO ADDITIONAL MONUMENTS SHOWN ON THIS SURVEY.

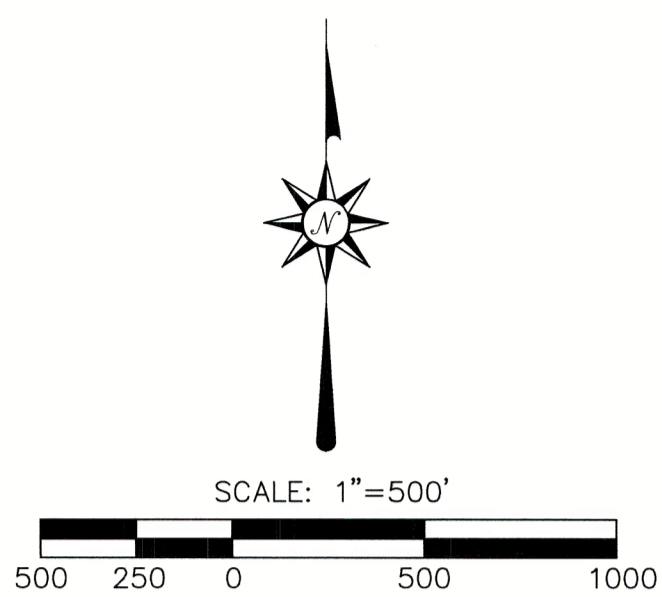
THE NORTH 1/6 CORNER FOR SECTIONS 20 AND 21 WAS RE-ESTABLISHED BY SINGLE PROPORTION BETWEEN THE RE-ESTABLISHED 1/4 CORNER AND THE SECTION CORNER. THIS LOCATION COULD NOT BE PHYSICALLY OCCUPIED SO A WITNESS CORNER WAS ESTABLISHED AS SHOWN.

FOR MONUMENTATION RECORDS SEE THE CERTIFIED RECORD OF LAND CORNER MONUMENTATION SHEETS FILED SEPARATELY IN THE BAKER COUNTY SURVEYOR'S OFFICE.

THE NATIONAL FOREST BOUNDARY SHOWN HEREON WAS MAINTAINED AS NEEDED WITH METAL FENCE POSTS AND ALUMINUM POSTS, WITH ATTACHED NATIONAL FOREST BOUNDARY SIGNS. EACH MONUMENT SET HAS GUARD POSTS WITH LAND SURVEY MONUMENT SIGNS ATTACHED.

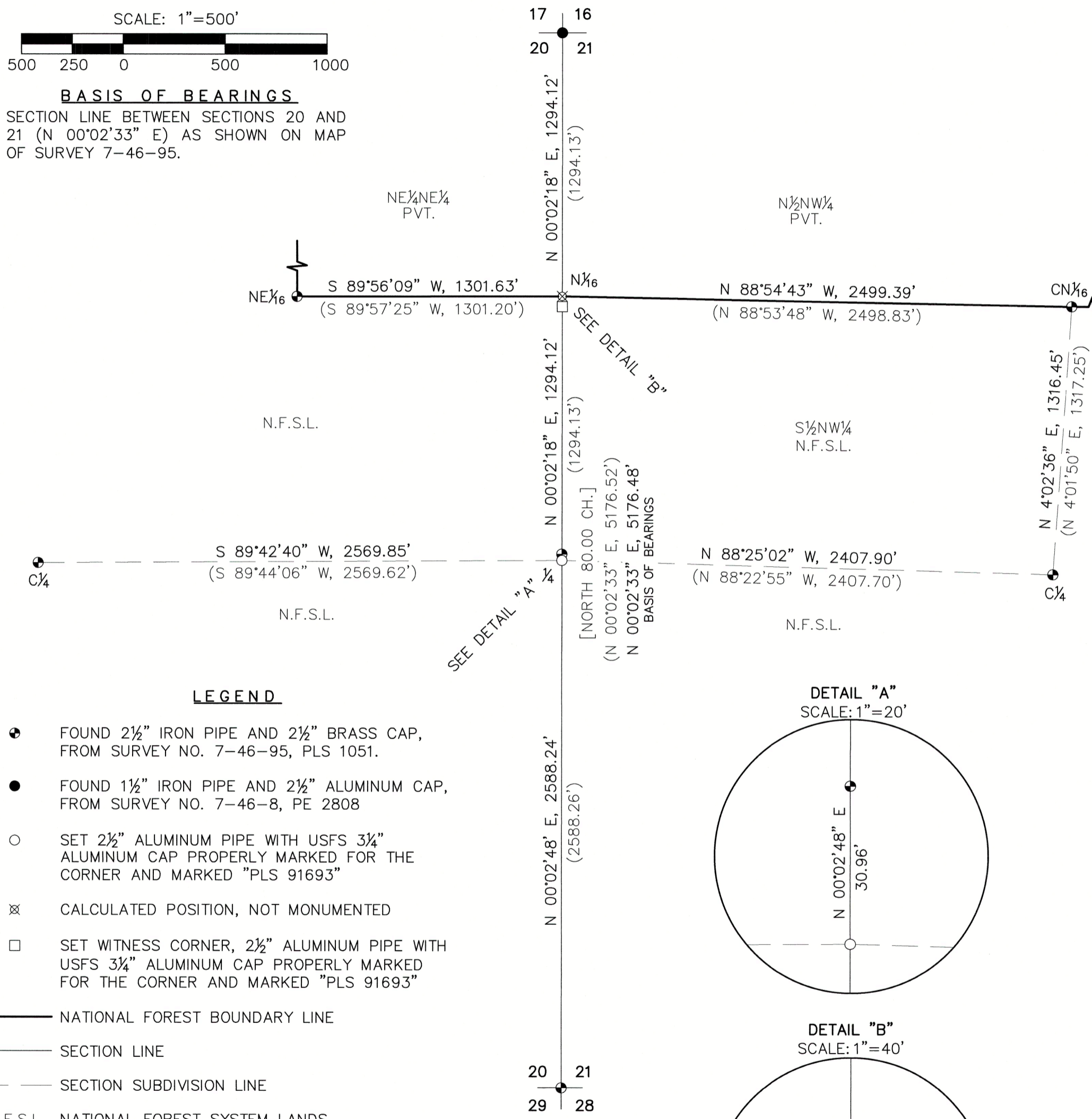
**REFERENCES**

- PATENT NO. 2667, ISSUED ON DECEMBER 20TH, 1892.
- PATENT NO. 10408, ISSUED ON NOVEMBER 19TH, 1906.
- WARRANTY DEED RECORDED ON SEPTEMBER 9, 1942 IN BOOK 132, PAGE 81.
- WARRANTY DEED RECORDED ON NOVEMBER 30, 2020 AS DOCUMENT NO. B20480011.
- G.L.O. SURVEY OF TOWNSHIP 7 SOUTH, RANGE 46 EAST, W.M., CONTRACT NO. 443, APPROVED ON MARCH 13TH, 1883.
- MAP OF SURVEY 7-46-01, PERFORMED BY PE 2808, RECORDED ON JULY 12, 1974.
- MAP OF SURVEY 7-46-95, PERFORMED BY PLS 1051, RECORDED ON JANUARY 25, 1982.
- CORNER MONUMENTATION RECORDS RECORDED IN THE BAKER COUNTY SURVEYOR'S OFFICE AS SURVEY NO. 07-46-8, 07-46-126, 07-46-129, 07-46-130, 07-46-131, 07-46-133, 07-46-134, 07-46-135 AND 07-46-140, & 07-46-154.



**BASIS OF BEARINGS**

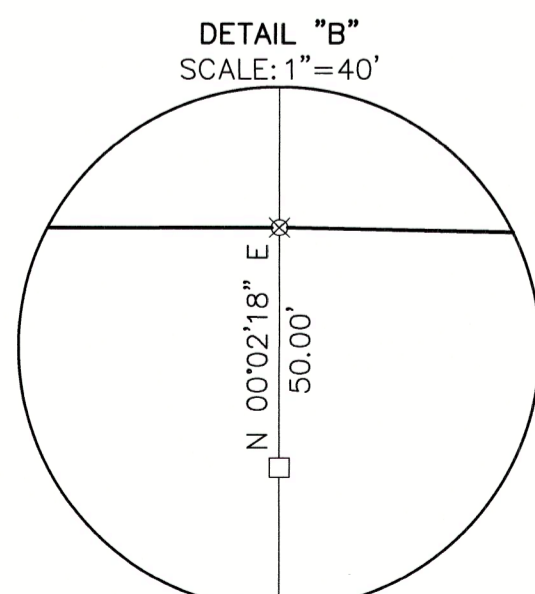
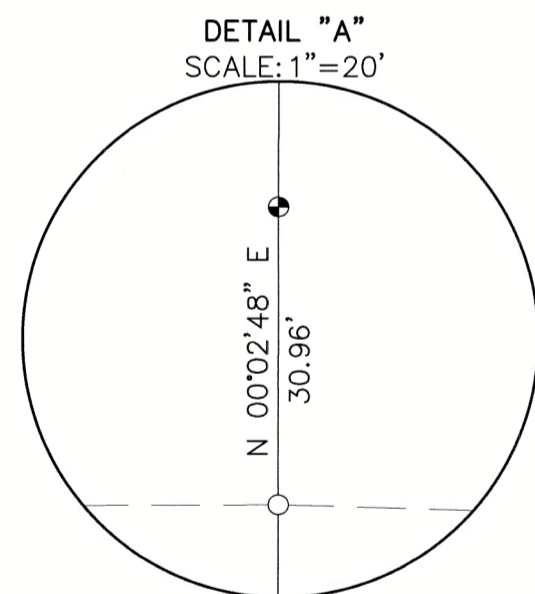
SECTION LINE BETWEEN SECTIONS 20 AND 21 (N 00°02'33" E) AS SHOWN ON MAP OF SURVEY 7-46-95.



**LEGEND**

- FOUND 2 1/2" IRON PIPE AND 2 1/2" BRASS CAP, FROM SURVEY NO. 7-46-95, PLS 1051.
- FOUND 1 1/2" IRON PIPE AND 2 1/2" ALUMINUM CAP, FROM SURVEY NO. 7-46-8, PE 2808
- SET 2 1/2" ALUMINUM PIPE WITH USFS 3/4" ALUMINUM CAP PROPERLY MARKED FOR THE CORNER AND MARKED "PLS 91693"
- ⊗ CALCULATED POSITION, NOT MONUMENTED
- SET WITNESS CORNER, 2 1/2" ALUMINUM PIPE WITH USFS 3/4" ALUMINUM CAP PROPERLY MARKED FOR THE CORNER AND MARKED "PLS 91693"

- NATIONAL FOREST BOUNDARY LINE
- SECTION LINE
- SECTION SUBDIVISION LINE
- N.F.S.L. NATIONAL FOREST SYSTEM LANDS
- PVT. PRIVATE LANDS
- ( ) RECORD DIMENSIONS, SURVEY NO. 7-46-95
- [ ] RECORD G.L.O. DIMENSIONS



I CERTIFY THAT THIS SURVEY WAS PERFORMED AT THE REQUEST OF THE WALLOWA-WHITMAN NATIONAL FOREST.  
*Sh. P. McK*  
 FOREST SUPERVISOR  
 1/9/2024  
 DATE

FILED *January 24, 2024*  
 BAKER COUNTY SURVEYOR  
 SURVEY NO. 7-46-165

REGISTERED PROFESSIONAL LAND SURVEYOR

*Robert C. Moyers*  
 OREGON  
 SEPTEMBER 11, 2018  
 ROBERT C. MOYERS  
 91693  
 RENEWS 12/31/2024

UNITED STATES DEPARTMENT OF AGRICULTURE	
<b>FOREST SERVICE</b>	
REGION 6 - WALLOWA-WHITMAN NATIONAL FOREST 1550 DEWEY AVE., SUITE A, BAKER CITY, OREGON 97814 - (541) 523-1281	
 FOREST SERVICE U.S. DEPARTMENT OF AGRICULTURE	<b>MAP OF SURVEY</b> WALLOWA-WHITMAN NATIONAL FOREST LOCATED IN SECTIONS 20 & 21, TOWNSHIP 7 SOUTH, RANGE 46 EAST WILLAMETTE MERIDIAN BAKER COUNTY, OREGON SURVEY COMPLETED NOVEMBER 1, 2023
DRAWN BY: TJQ	CHECKED BY: RCM
SCALE: 1"= 500'	SHEET 1 of 1