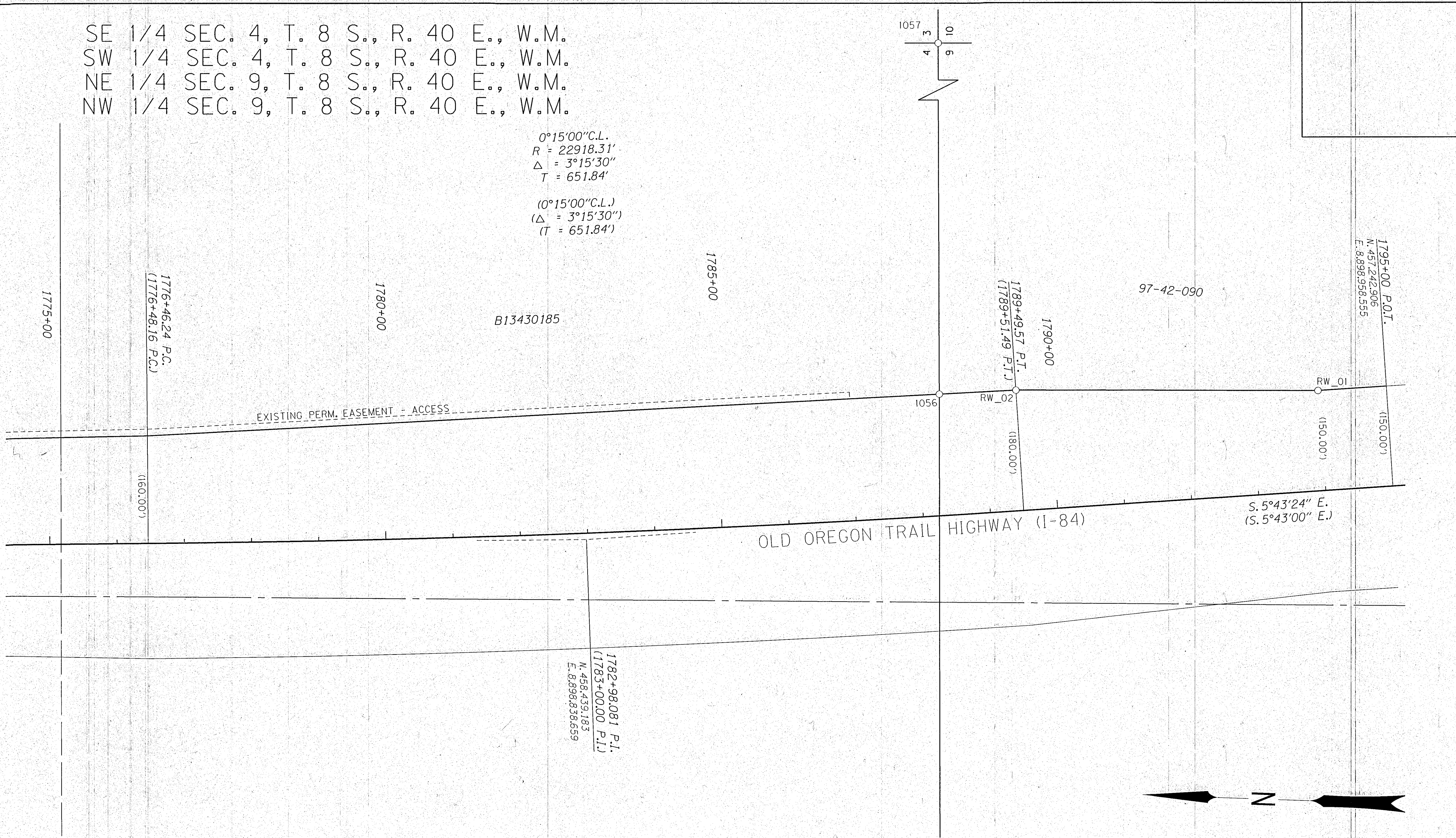


SE 1/4 SEC. 4, T. 8 S., R. 40 E., W.M.
 SW 1/4 SEC. 4, T. 8 S., R. 40 E., W.M.
 NE 1/4 SEC. 9, T. 8 S., R. 40 E., W.M.
 NW 1/4 SEC. 9, T. 8 S., R. 40 E., W.M.

0°15'00"C.L.
 R = 22918.31'
 Δ = 3°15'30"
 T = 651.84'

(0°15'00"C.L.)
 (Δ = 3°15'30")
 (T = 651.84')



LEGEND	
○	FOUND MONUMENT
()	RECORD DATA PER ODOT DRG. 9B-3-21
—	RESOLVED RIGHT OF WAY
- - -	EXISTING RIGHT OF WAY OR PROPERTY LINE
—+—	PRIMARY HIGHWAY RIGHT OF WAY CENTER LINE ALIGNMENT
- - - - -	EXISTING EASEMENT

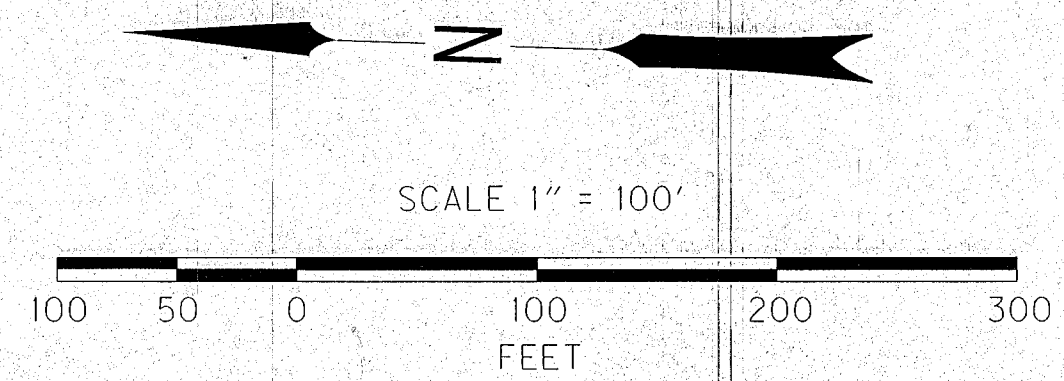
RECOVERED MONUMENT LIST

PT ID	PROJECT NORTHING	PROJECT EASTING	STATION	OFFSET	DESCRIPTION & REFERENCE DOCUMENTS
RW_01	457359.33	8899097.56	1793+98.02	149.92' LT	FOUND 5/8" IRON ROD W/ ALUM. CAP MARKED "OREG STATE HWY DEPT", ODOT DRG. 9B-3-21
RW_02	457808.54	8899082.75	1789+49.57	179.99' LT	FOUND 5/8" IRON ROD W/ ALUM. CAP MARKED "OREG STATE HWY DEPT", ODOT DRG. 9B-3-21
1056	457922.25	8899072.93	1788+34.54	181.26' LT	FOUND 5/8" IRON ROD W/ YPC MARKED "HANLEY ENGR. PLS 1817", SURVEY NO. 8-40-0013
1057	458011.46	8901473.64	N/A	N/A	FOUND 5/8" IRON ROD W/ YPC MARKED "HANLEY ENGR. PLS 1817", SURVEY NO. 8-40-0013

REGISTERED PROFESSIONAL LAND SURVEYOR

BE
 OREGON
 JAN. 14, 2003
 BRET N. ELITHORP
 63148

RENEWAL: DEC. 31, 2017



OREGON DEPARTMENT OF TRANSPORTATION
 HORIZONTAL CONTROL, RECOVERY AND RETRACEMENT MAP
 184: WB SNOW FENCE @ CULLEY LANE PHASE 2 - AREA 2
 OLD OREGON TRAIL HIGHWAY (I-84)
 BAKER COUNTY
 FILED June 14, 2016
 BAKER COUNTY SURVEYOR
 SURVEY NO. 7-40-17
 8-40-211
 FOR ODOT REGION 5
 3012 ISLAND AVENUE
 LA GRANDE, OR 97850

MARCH 15, 2016
 SCALE: 1" = 100'
 SHEET 5 OF 5