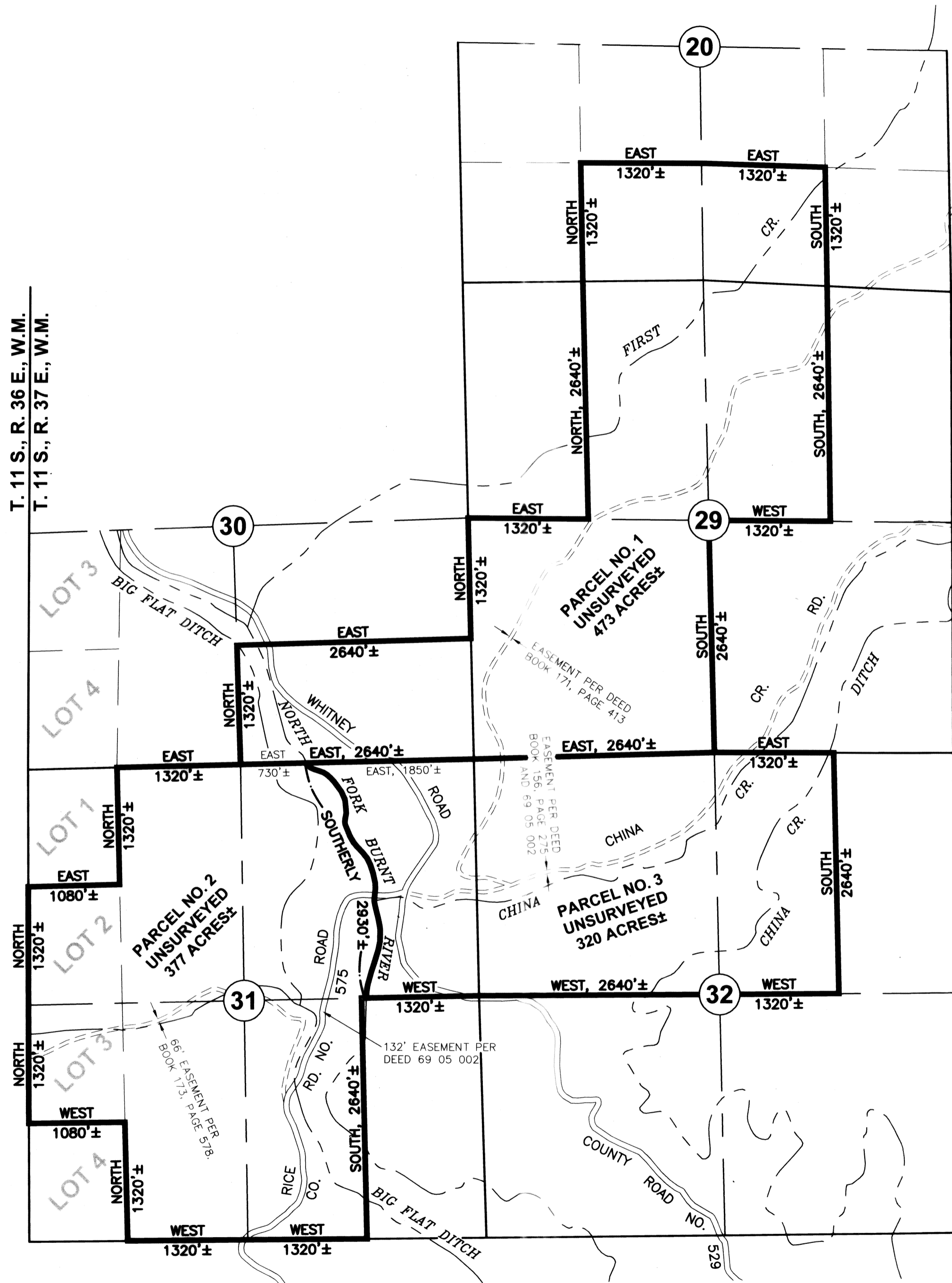
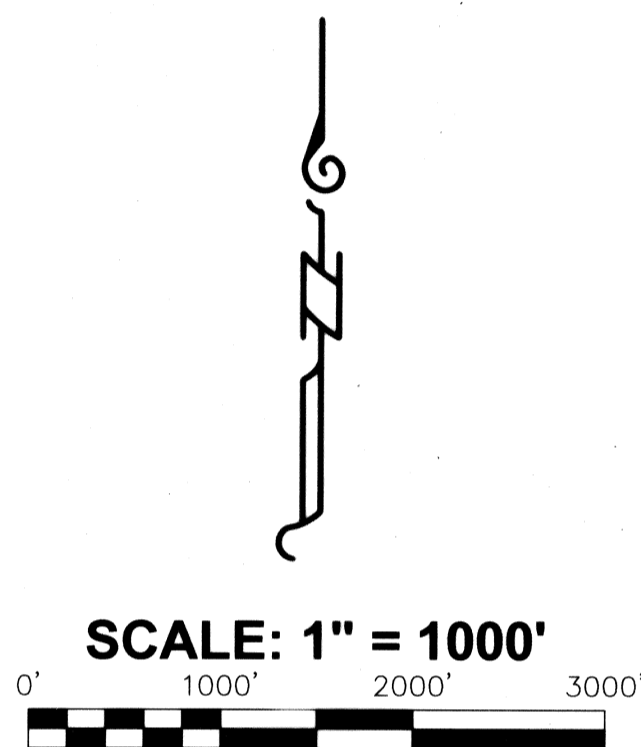


# PARTITION PLAT NO. P.2006-016



**HANLEY ENGINEERING, INC.**  
P.O. BOX 701, 2043 MAIN STREET, BAKER CITY, OREGON 97814 (541) 523-3803

REGISTERED PROFESSIONAL LAND SURVEYOR  
*Thomas J. Hanley*  
OREGON JULY 13, 1979  
THOMAS J. HANLEY 1817

**T. 11 S., R. 37 E., W.M.**  
**T. 12 S., R. 37 E., W.M.**

Renews June 30, 2007