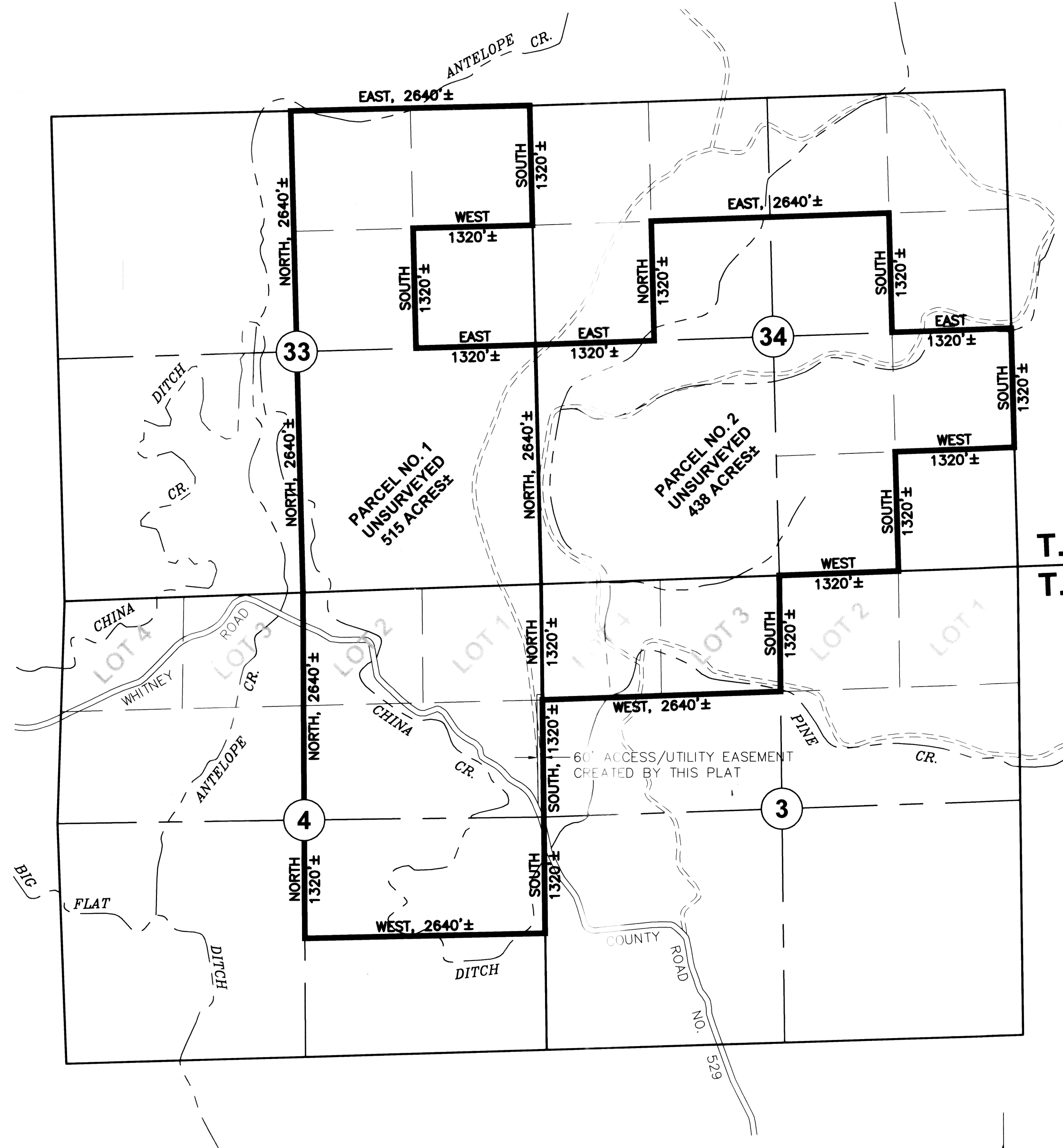
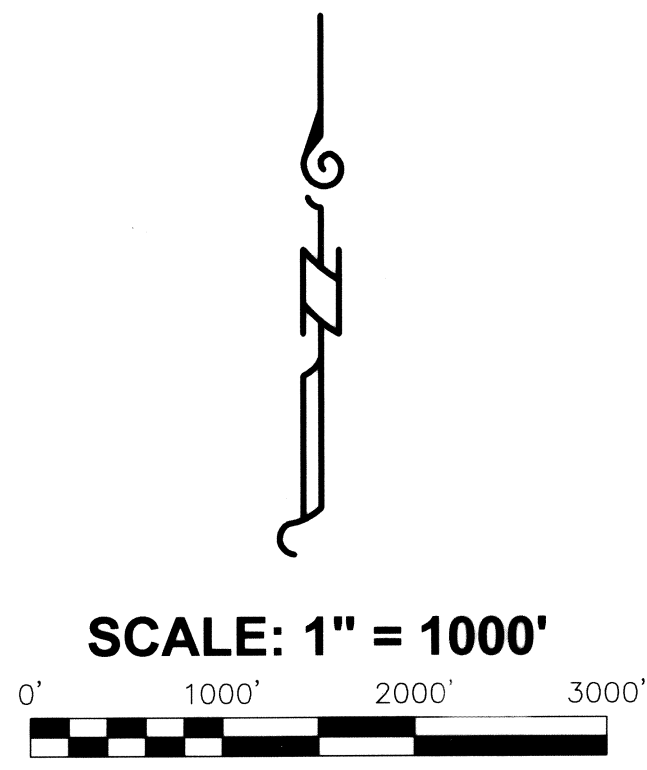


PARTITION PLAT NO. P2006-010



T. 11 S., R. 37 E., W.M.
 T. 12 S., R. 37 E., W.M.

HANLEY ENGINEERING, INC.
 P.O. BOX 701, 2043 MAIN STREET, BAKER CITY, OREGON 97814 (541) 523-3803

REGISTERED
 PROFESSIONAL
 LAND SURVEYOR
Thomas J. Hanley
 OREGON
 JULY 13, 1979
 THOMAS J. HANLEY
 1817

Renews June 30, 2007